



CE

CE 841 VTR.

Electric cooker, 4 radiant rings,
1 electric oven 620 x 400.

- Body and front in stainless steel.
- Stainless steel legs with adjustable feet. Height: 150/175 mm.
- Total power: 12.5 kW.
- Electrical supply: three-phase 400 V + N + E.

Hob

- Vitroceraamic hob.
- 1 x 3.5 kW square , 300 x 300 mm.
- 1 x 1.2 kW ring , Ø 140 mm.
- 1 x 2.1 kW ring, Ø 210 mm.
- 2 double rings (1.4 kW /2.1kW), Ø 210mm.

Oven

- Interior dimensions: W 620 - D 455 - H 305 mm.
- Power of heating elements:
Base + periphery roof element: 3.6 kW - Grill: 2.85 kW.
- Thermostat.
- Standard equipment: 1 oven rack, 1 enamelled roasting dish.

CE 841 VTR

W 800 - D 650 - H 900

Variations:

OVEN (instead of gas oven)

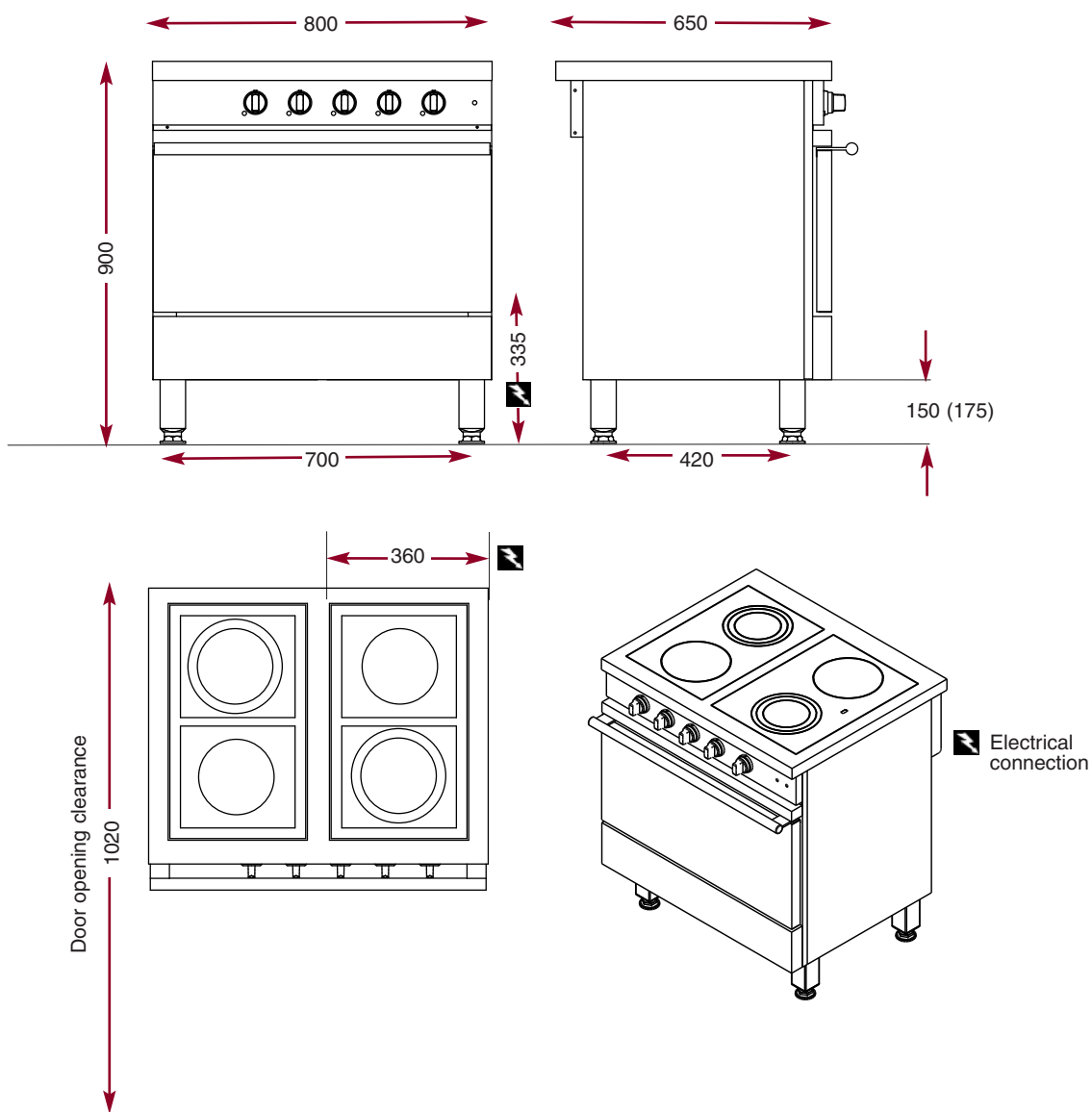
SFCT 801 1 convection oven (3.4 kW)*

SGE 801 Electric grill (in convection oven)

* Electrical supply: 400V + N + E only.

4 radiant rings, 1 electric oven 620 x 400.

CE 841 VTR



The Chef's Choice.

N° 16 - 2